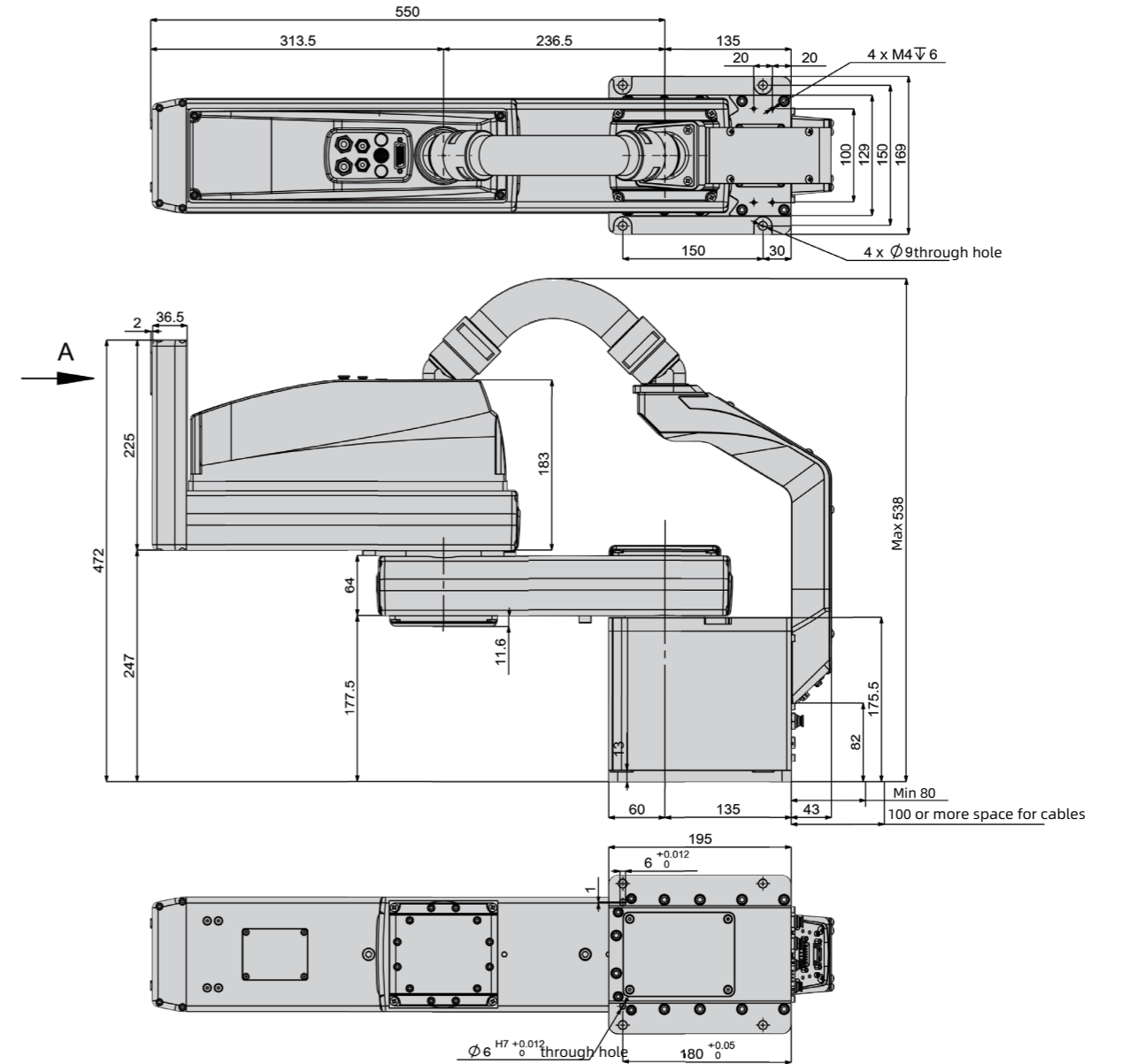




Outer Dimensions and Motion Range



Operating range
Arm length 500mm
Joint#3 stroke 100mm

Payload
Rated 5kg/Maximum 10kg

Repeatability
Joint #1,#2 ±0.025mm
Joint #3 ±0.01mm

Electrical parameters

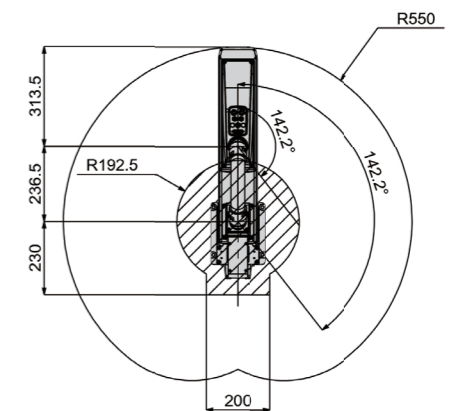
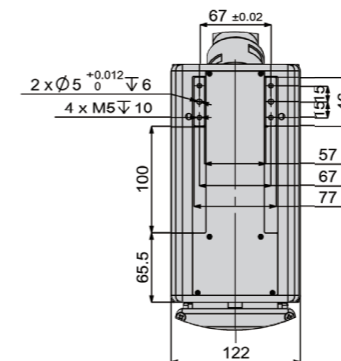
Origin Return	None Need Origin Return
Installed wire for customer	26Pin (D-Sub Connector)
Installed pneumatic tube for customer use	φ4mm*2, φ6mm*2
Visual Interface	M12*1 Gigabit network interface
Installation Environment	Standard

※ Test results under specified conditions of our company.

Motion parameters

Joint Content	#1	#2	#3
Max Operating Speed	7133mm/s		1063mm/s
Max Motion Range	±142.2°	±142.2°	100mm
Motor Power Consumption	750W	750W	100W
Weight	28kg (cables not included)		

Detailed view from A



Shaded area indicates operation blind spot